



Addendum No. 1

DATE: November 8, 2016

Joliet Junior College
1215 Houbolt Road
Joliet, IL 60431

TO: Prospective Respondents
SUBJECT: Addendum No. 1
PROJECT NAME: Event Center Graphics Rebid
JJC PROJECT NO.: R16034R

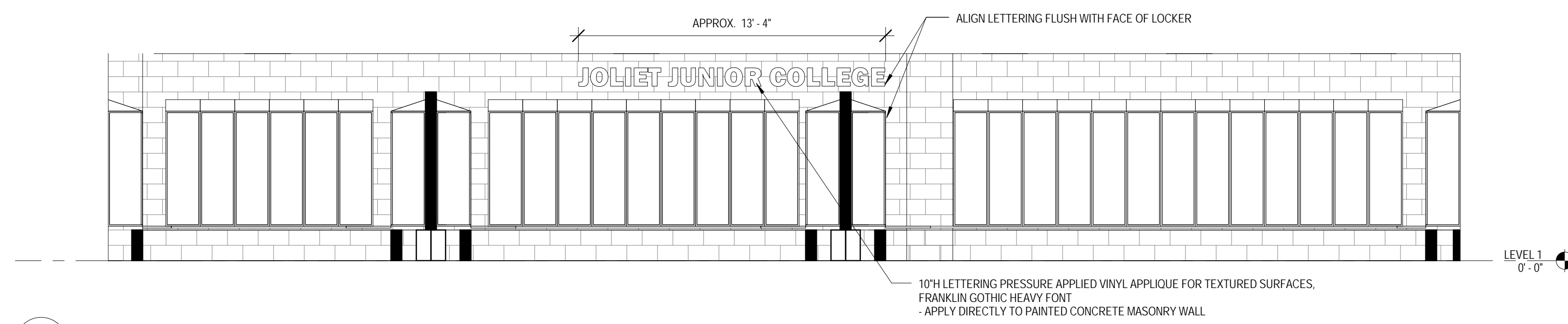
This Addendum forms a part of the Bidding and Contract Documents and modifies the original bidding document as posted on the JJC website. Acknowledge receipt of this addendum in the space provided on the Bid Form. FAILURE TO DO SO MAY SUBJECT BIDDER TO DISQUALIFICATION.

Additional Documents:

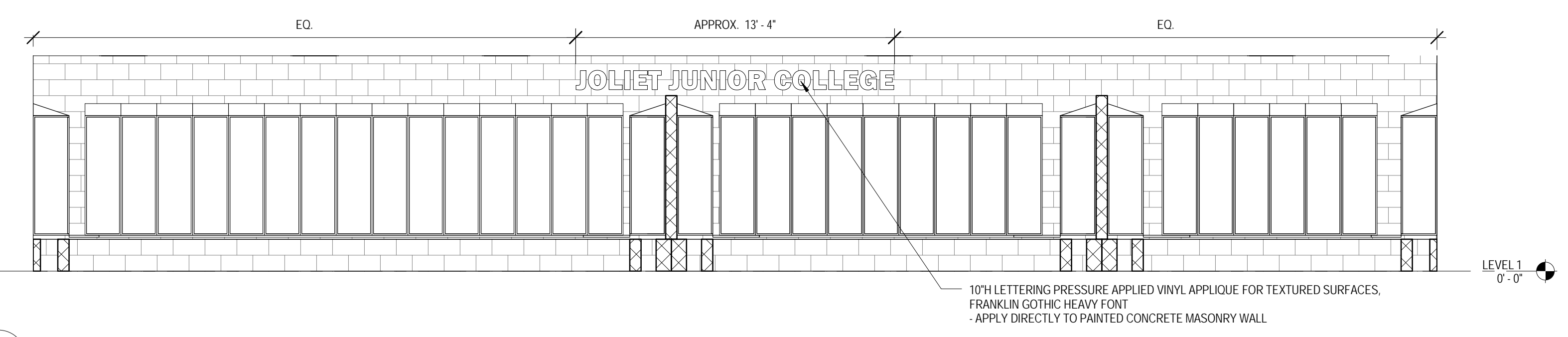
Attached to this addendum are drawings for the Event Center Graphics Rebid.

End of Addendum #1

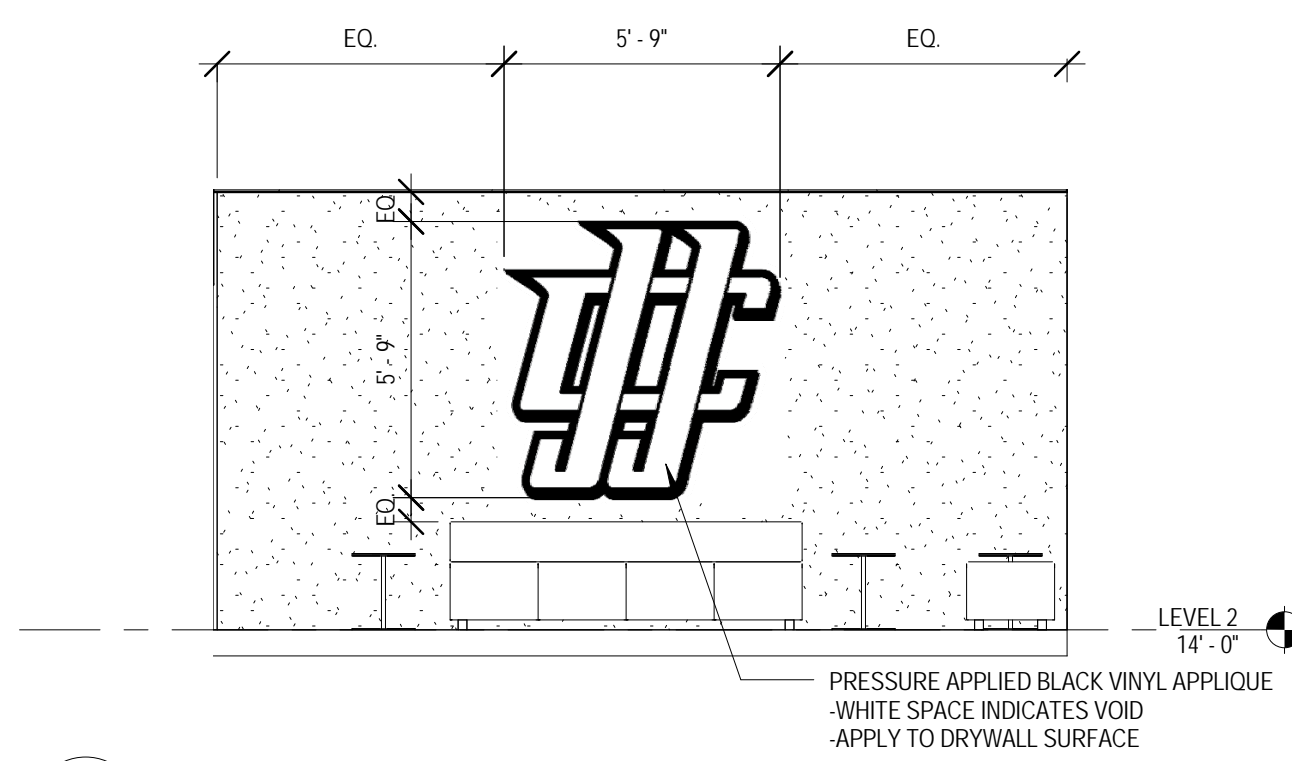
NO.	DESCRIPTION:	DATE:



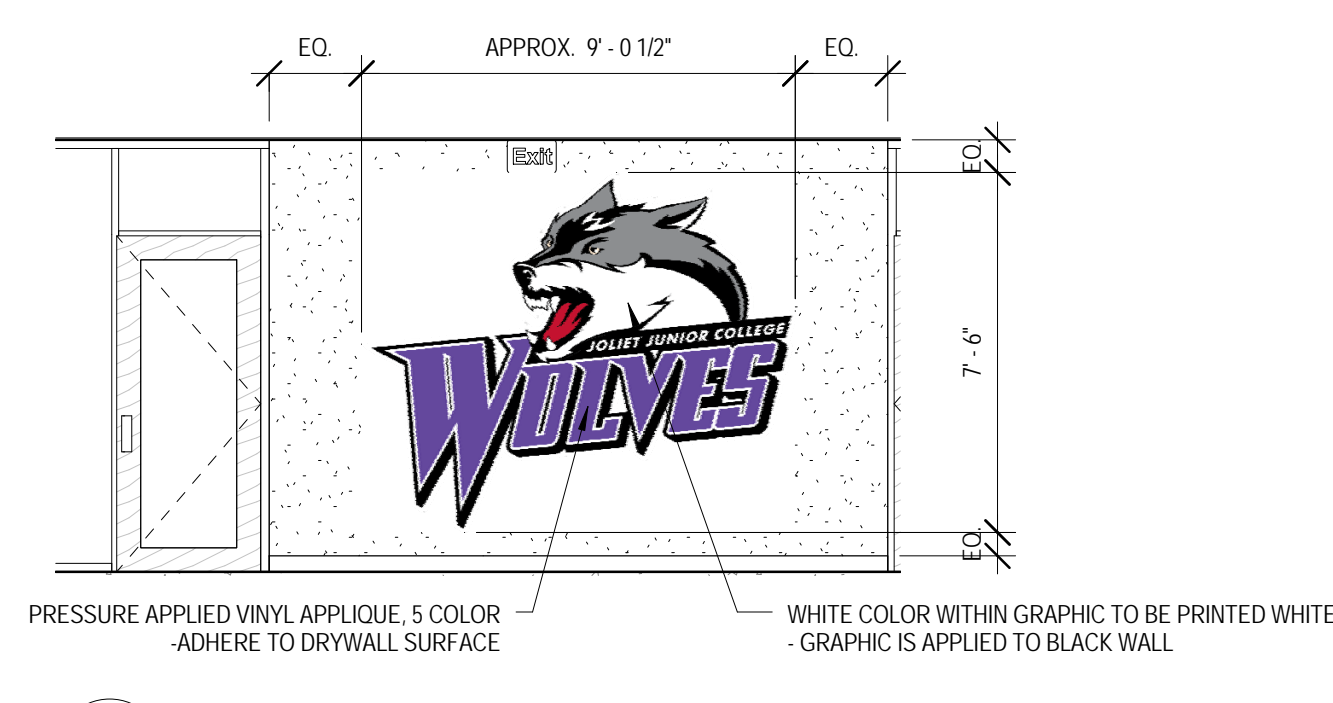
1 MENS LOCKER ROOM 1013 WEST
 1/4" = 1'-0"



2 WOMENS LOCKER ROOM 1011 EAST
 1/4" = 1'-0"



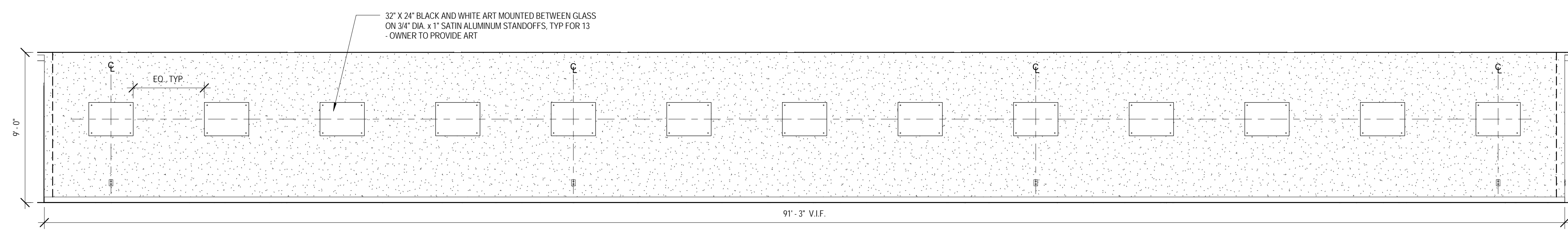
3 INTERIOR ELEVATION - ELEVATOR LOBBY WEST
 1/4" = 1'-0"



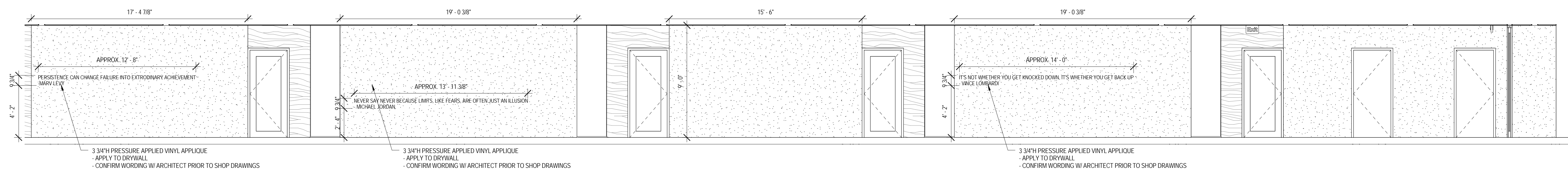
4 INTERIOR ELEVATION - WAITING AREA 2109 WEST
 1/4" = 1'-0"



5 BANNERS
 1/2" = 1'-0"



6 INTERIOR ELEVATION - CORRIDOR 2106 SOUTH
 1/4" = 1'-0"



7 INTERIOR ELEVATION CORRIDOR 2106 NORTH
 1/4" = 1'-0"