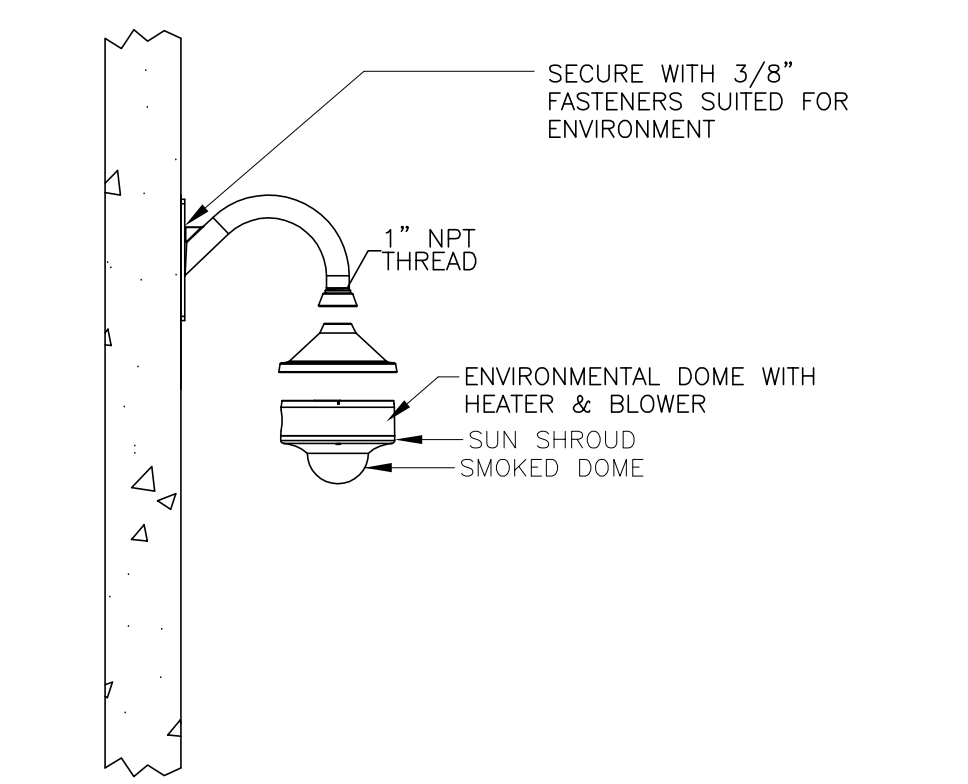
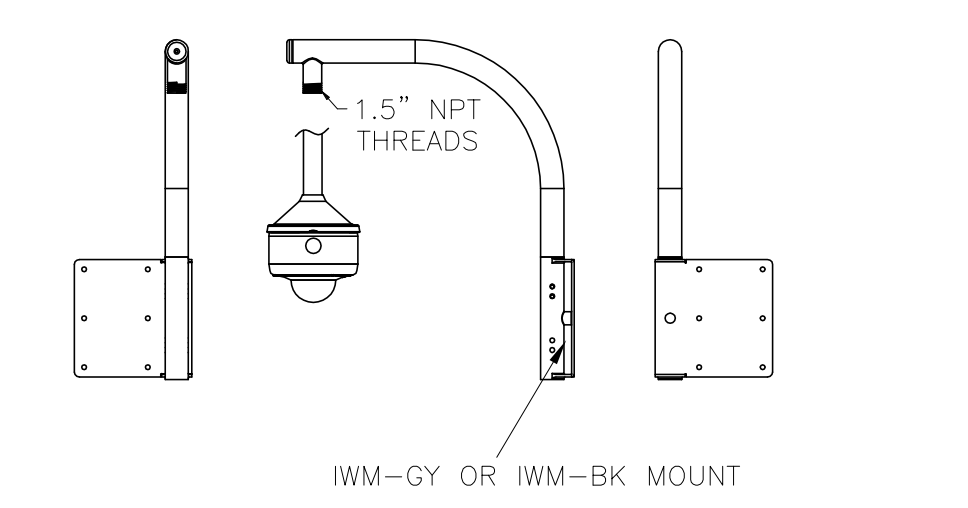


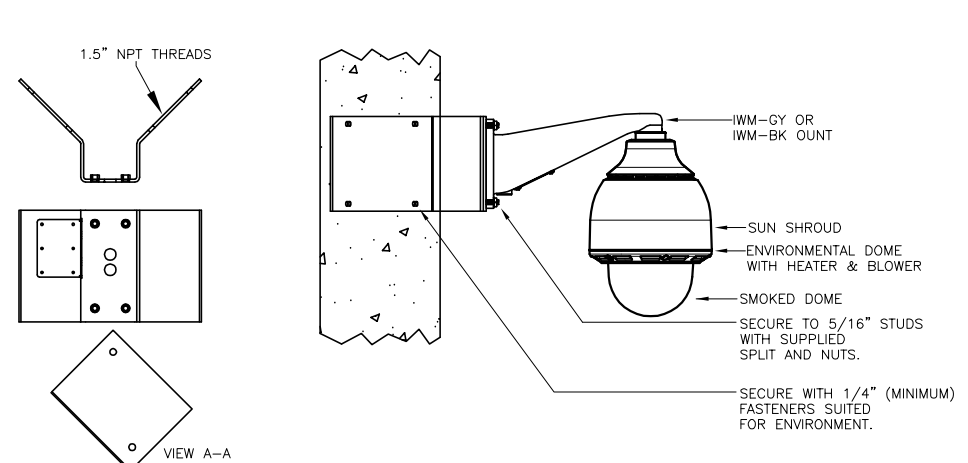
GENERAL NOTES



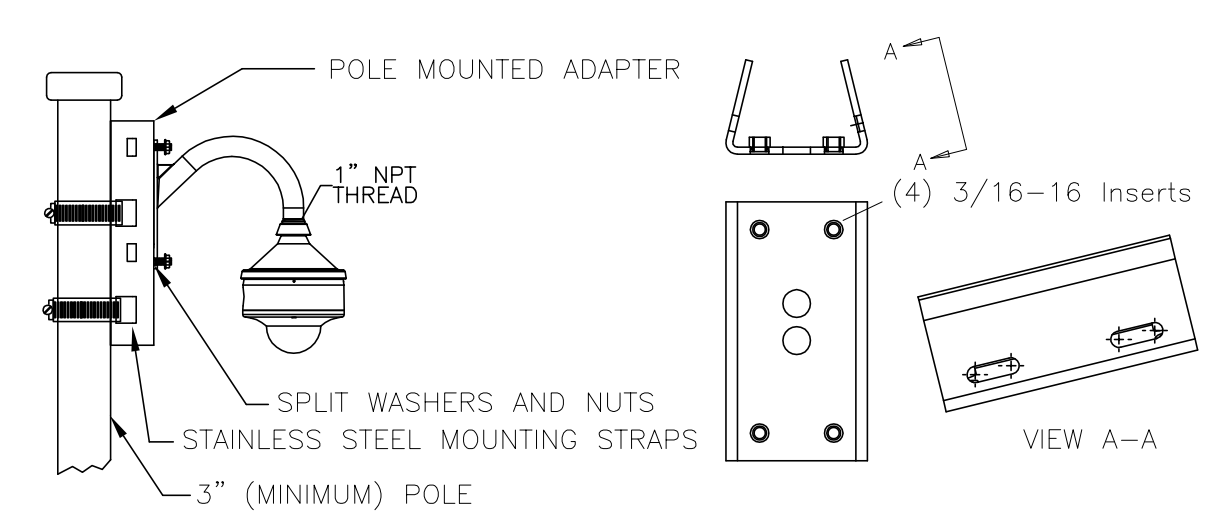
WALL MOUNT / GOOSENECK BRACKET DETAIL
 Scale: NTS



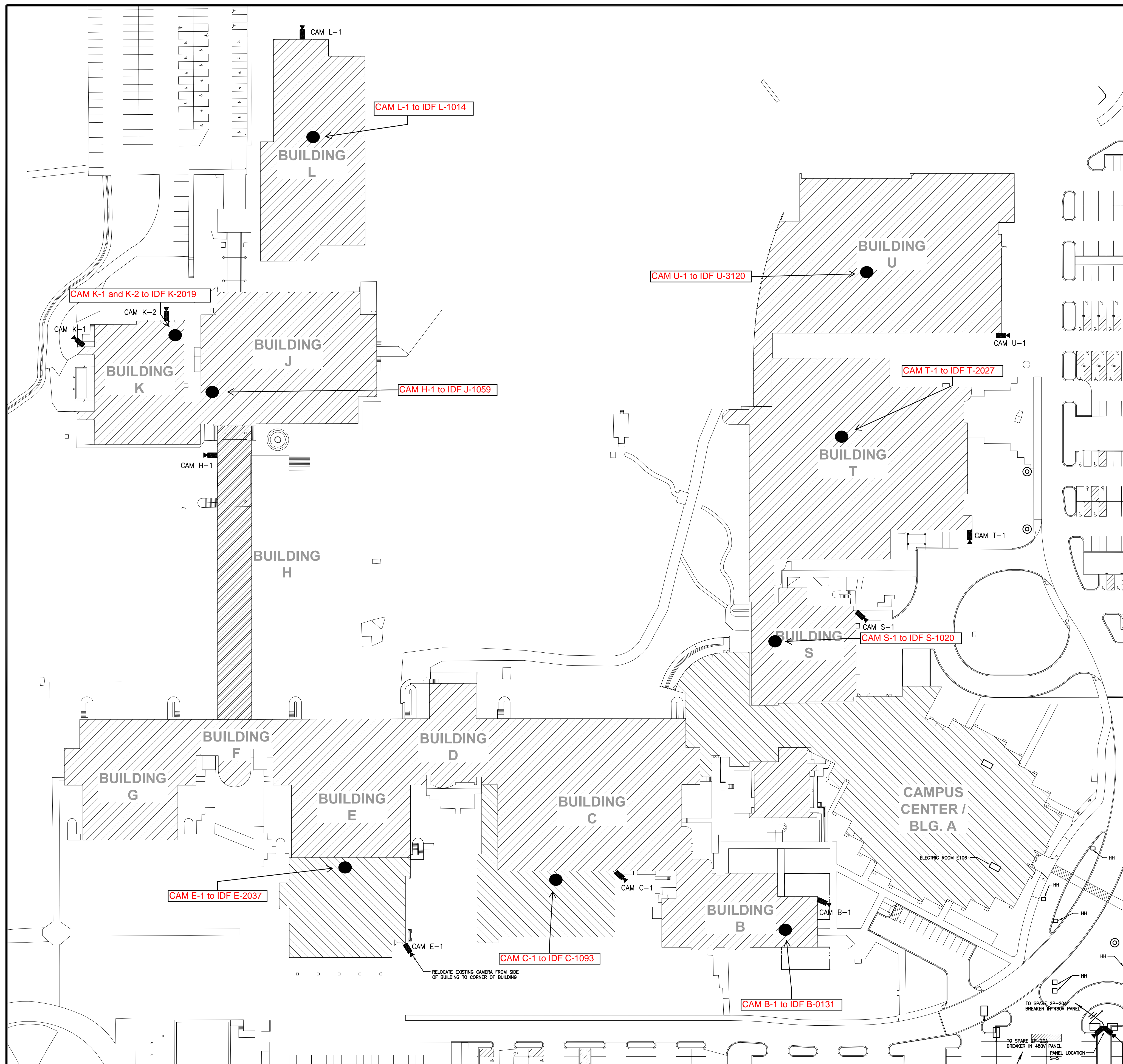
PARAPET BRACKET DETAIL
 Scale: NTS



CORNER MOUNTING DETAIL
 Scale: NTS



POLE MOUNTED DETAIL
 Scale: NTS



MAIN CAMPUS BUILDING CAMERA LOCATION PLAN
 Scale: 1" = 50'-0"

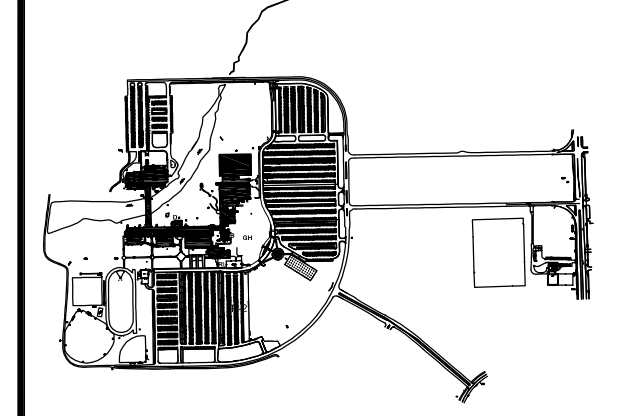
- NOTES:**
1. CONTRACTOR SHALL INTERCEPT 120V FROM NEAREST UNSWITCHED CIRCUIT FOR HEATER BLOWER FUNCTION (TYPICAL FOR ALL OUTDOOR CAMERAS).
 2. ALL CABLES SHOWN ON THIS DRAWING SHALL BE CATEGORY 6 NETWORK CABLE.
 3. THE CONTRACTOR SHALL ROUTE CABLE UTILIZING THE SHORTEST DISTANCE AVAILABLE. THE CONTRACTOR SHALL NOTIFY THE COLLEGE TECHNOLOGY DEPARTMENT IF CAT-6 RUNS APPROACH 330 FEET.
 4. EXACT LOCATIONS OF THE CAMERAS AND POLES SHALL BE COORDINATED WITH THE EQUIPMENT VENDOR AND THE COLLEGE TO ASSURE COMPREHENSIVE VIDEO COVERAGE OF THE AREA.



1215 HOUBOLT ROAD
 Joliet, IL 60431-8938

NO.	DATE	DESCRIPTION	BY
1	01/25/23	ISSUED FOR BID	JCH

ISSUES / REVISIONS



PHASE V SECURITY CAMERA PROJECT

MAIN CAMPUS BUILDING CAMERA LOCATION PLAN

DRAWN / DESIGNED BY DBS/LJH	JOB NO. 4118	SHEET NO. E-C4
CHECKED & APPROVED BY PER	SCALE AS NOTED	